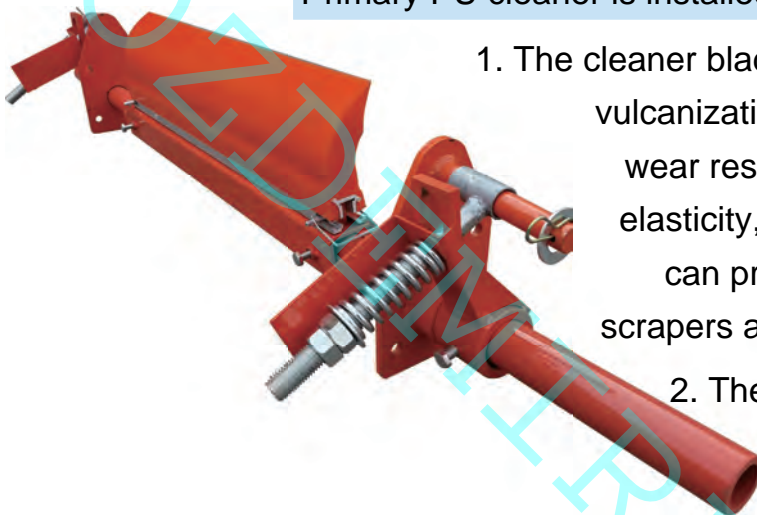
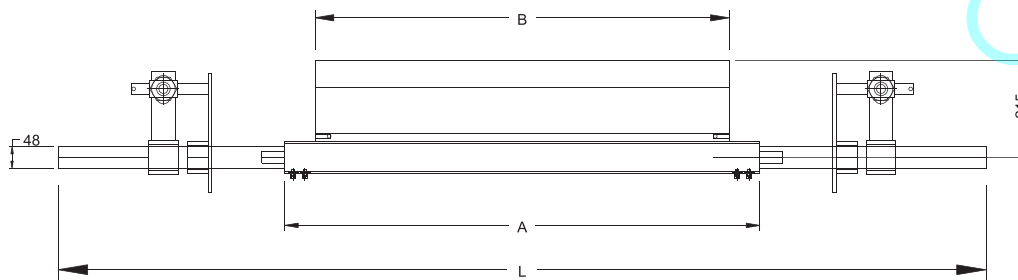


Primary PU Cleaner

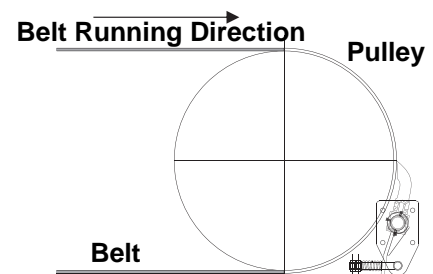
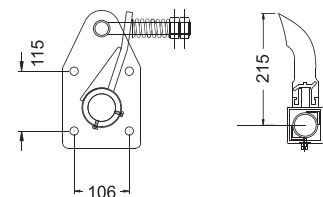
Primary PU cleaner is installed at the head drum of belt conveyor.



1. The cleaner blade is made of polymer polyurethane vulcanization, it has the characteristics of high wear resistance, low friction coefficient, high elasticity, acid and alkali resistance. We also can provide flame retardant and antistatic scrapers according to customer requirements.
2. The scraper adopts an integral design, and the bottom is vulcanized with aluminum alloy to increase the strength and impact resistance of the scraper.
3. Spring tensioners are used at both ends of the cleaner to ensure that the belt is tightly fitted at all times.
4. The beam is composed of the main beam and the sub-beam, and the length of the cleaner can be freely retracted.
5. The blade adopts a latch structure, which can be quickly disassembled and convenient for maintenance.



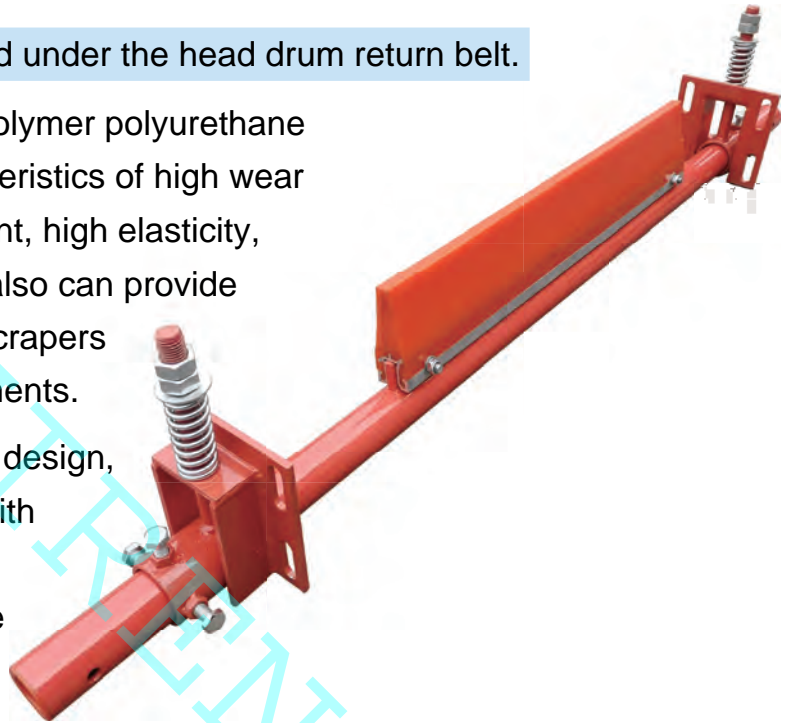
BW (mm)	B (mm)	A (mm)	L (mm)
500	457	500	1500
650	610	650	1650
800	762	800	1800
1000	915	1000	2000
1200	1067	1200	2200
1400	1220	1400	2400
1600	1372	1600	2600
1800	1524	1800	2800
2000	1677	2000	3000
2200	1829	2200	3200



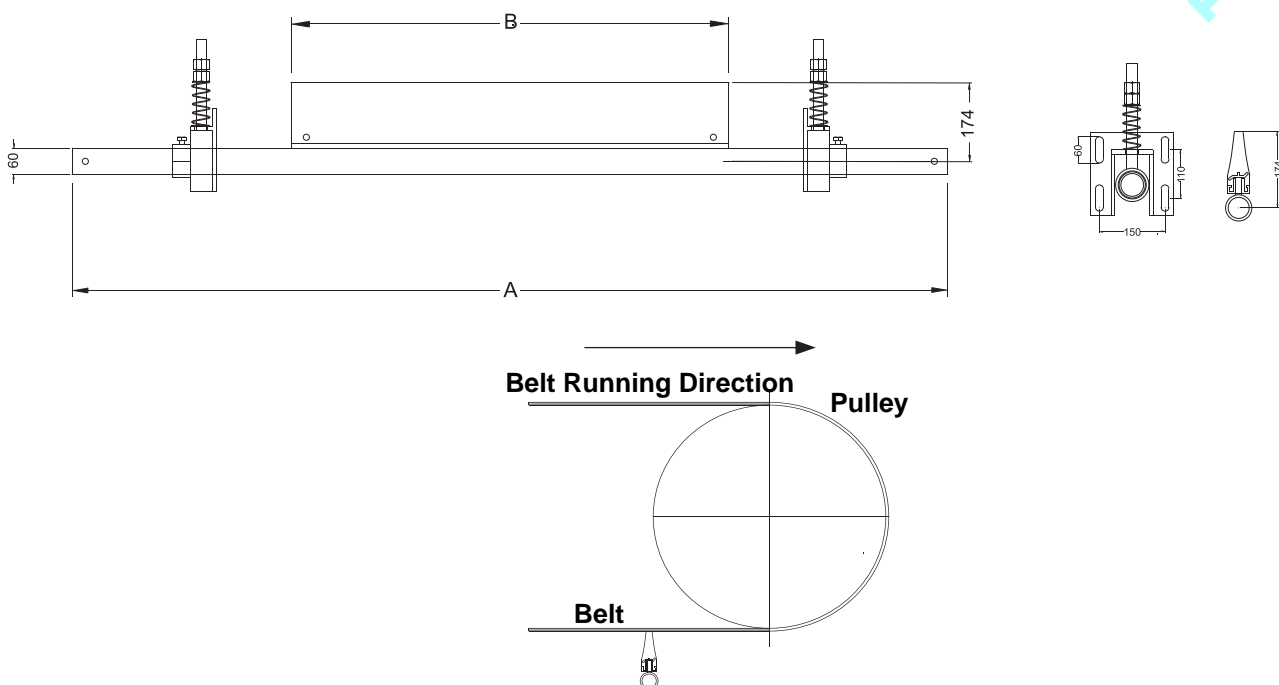
Second PU Cleaner

Secondary PU cleaner is installed under the head drum return belt.

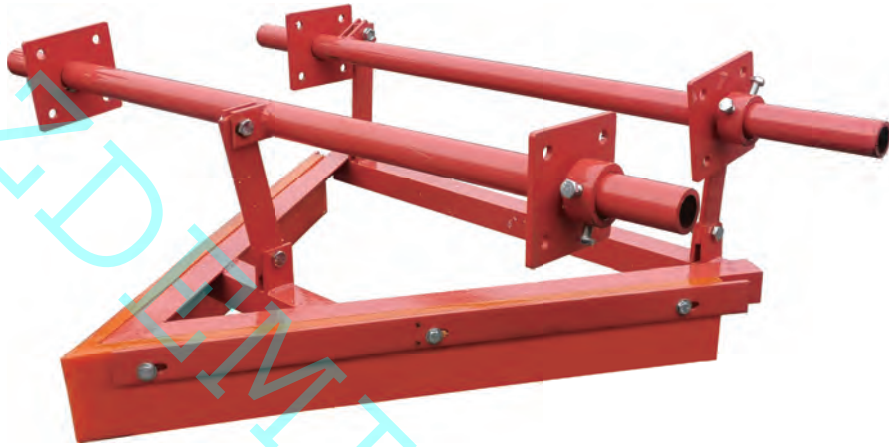
1. The cleaner blade is made of polymer polyurethane vulcanization, it has the characteristics of high wear resistance, low friction coefficient, high elasticity, acid and alkali resistance. We also can provide flame retardant and antistatic scrapers according to customer requirements.
2. The scraper adopts an integral design, and the bottom is vulcanized with aluminum alloy to increase the strength and impact resistance of the scraper.
3. Spring tensioners are used at both ends of the cleaner to ensure that the belt is tightly fitted at all times.
4. The blade adopts a latch structure, which can be quickly disassembled and convenient for maintenance.



BW (mm)	B=500	B=650	B=800	B=1000	B=1200	B=1400	B=1600	B=1800	B=2000	B=2200
A	1500	1600	1800	2000	2200	2400	2600	2800	3000	3200
B	500	600	800	1000	1200	1400	1600	1800	2000	2200



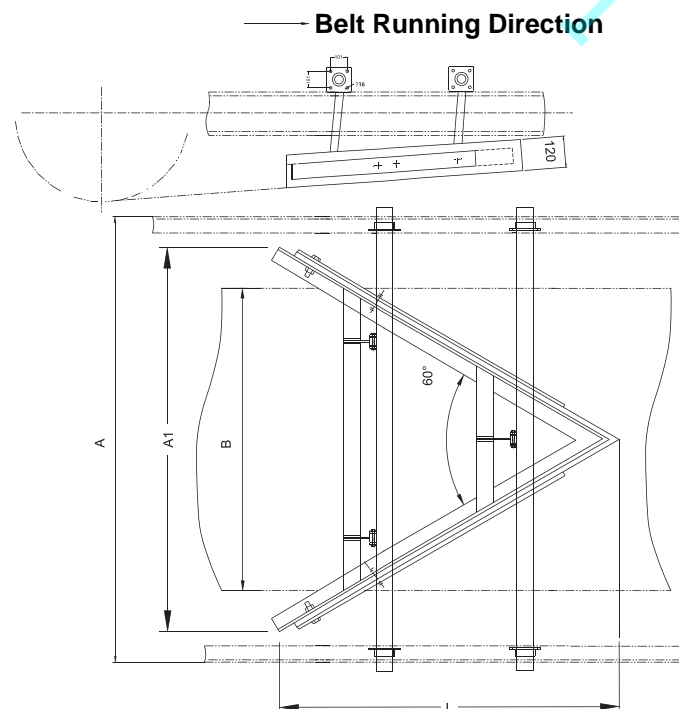
V Plow PU Cleaner



V-Plow PU cleaner is installed in front of the diverting roller of conveyor tail and placed on the return belt.

1. The cleaner blade is made of polymer polyurethane vulcanization, it has the characteristics of high wear resistance, low friction coefficient, high elasticity, acid and alkali resistance. We also can provide flame retardant and antistatic scrapers according to customer requirements.
2. The scraper adopts the overall V-shaped design, which makes it easier to clean the diverted material.
3. The double beams of the cleaner are pressed tightly to ensure that the belt is tightly fitted at all times.

B	A	A1	L
650	950	770	627
800	1150	970	800
1000	1350	1170	973
1200	1600	1420	1190
1400	1810	1630	1372
1600	2060	1880	1588
1800	2260	2080	1761
2000	2490	2290	1943
2200	2800	2610	2270



Brush Belt Cleaner

1. This cleaner is made from imported 8801 high wear-resistant nylon wire, which is planted on the brush body in a V shape, it caused this cleaner will not stick lots of material.

2. The nylon brush has an ash unloading slot, which will not store too much material in the brush to cause the cleaner to lose its function.

3. This cleaner adopt a through-shaft design, the brush body is more stable and will not break the shaft.

4. The boxes at both ends are made of steel plates, short-term deviation will not damage the cleaner.

5. Can clean up the residue in the cracks of the belt.

6. You can replace the metal brush filament or the nylon and metal hybrid brush filament.



Belt Width	A	B	C	D
500	960	600	500	1070
650	1110	750	650	1220
800	1310	950	800	1420
1000	1510	1150	1000	1620
1200	1760	1400	1200	1870
1400	1980	1600	1400	2090
1600	2230	1800	1600	2340
1800	2430	2000	1800	2540
2000	2660	2200	2000	2770

